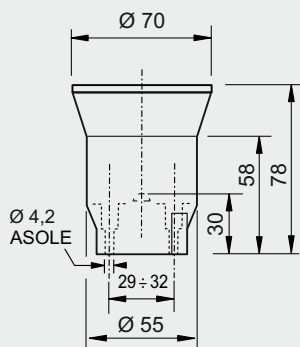


Attacco/Cap

# E40

Per lampade a incandescenza e scarica  
For incandescent and discharge lamps

**ART. 076.2/SM**



#### Dati tecnici

- Corpo in porcellana
- Contatto centrale in bronzo fosforoso nichelato
- Virola in lastra di ottone nichelata
- Molla antisvitamento lampada in acciaio zincato
- Morsetti a bussola in ottone nichelato per fili  $1 \div 4 \text{ mm}^2$
- Corrente nom.: 16A
- Tensione nom.: 500V
- Tensione d'impulso max: 5kV
- Categoria di tenuta all'impulso: III

Peso: 240 gr.

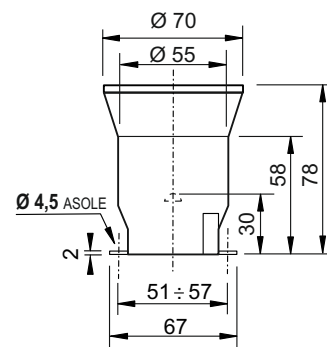


#### Technical data

- Porcelain body
- Nickel-plated phosphor bronze central contact
- Bulb screw base made of nickel plated brass plate
- Safety catch made of galvanized iron hanger
- Connector terminals made of nickel-plated brass, suitable for leads from 1 to 4 mm<sup>2</sup>
- Nominal values: 16A/500V
- Maximum rated pulse voltage: 5 kV
- Impulse withstand category: III

Weight: 240 gr.

**ART. 076.2/M**



Come art. 076.2/SM assemblato con virola in lastra di ottone nichelata, molla antisvitamento lampada e staffa diritta in ferro zincato.  
Peso: 245 gr.

As art. 076.2/SM assembled with straight galvanized iron hanger.

Weight: 245 gr.

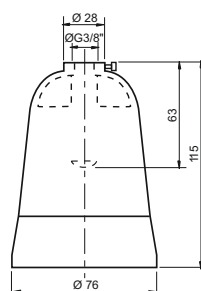
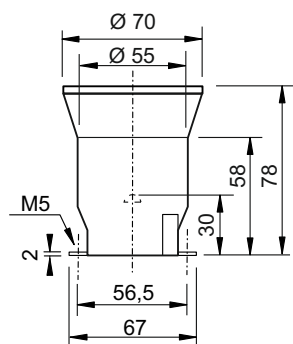


Incandescenza  
Incandescent

Scarica  
Discharge

## ART. 076.2/BM

## ART. 076/22



Portalamпада assembled with virola in lastra in ottone nichelata, molla antisvitamento lampada e staffa diritta in ferro zincato con fori passanti da M5. Peso: 245 gr.

*Lampholder assembled with bulb screw base made of nickel plated brass plate, safety catch and straight galvanized iron hanger with M5 passing hole Weight: 245 gr.*

Involucro di protezione in alluminio pressofuso per portalamпада ns. art. 076.1/SA. Filetto femmina da 3/8" G con vite di bloccaggio Tige. Peso: 190 gr.

*Die cast housing made of aluminium, our lampholder art. 076.1/SA. 3/8" G female thread with Tige blocking screw. Weight: 190 gr.*

